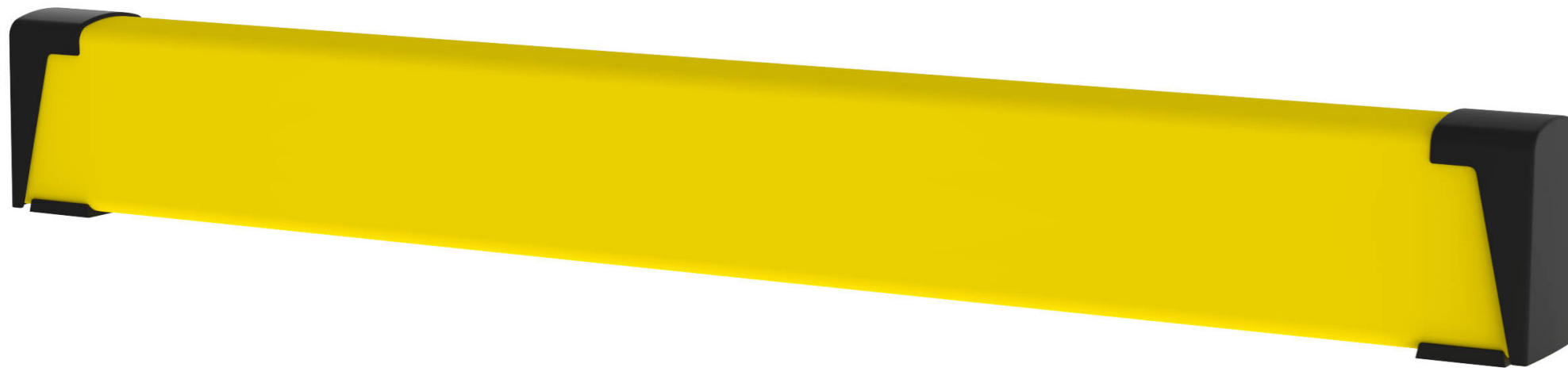


# X-Protect

---

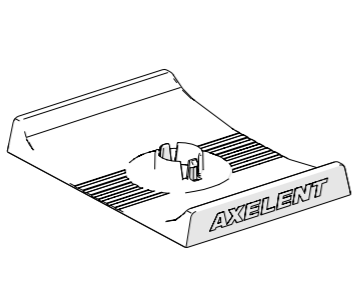
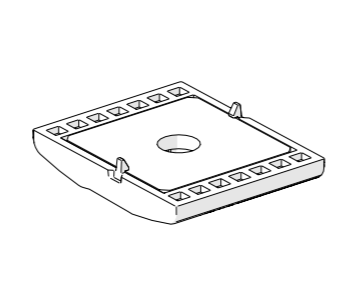
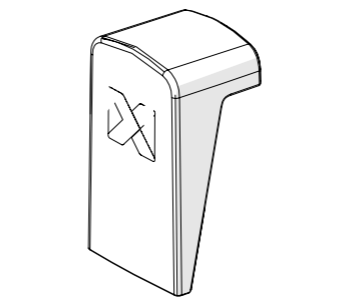
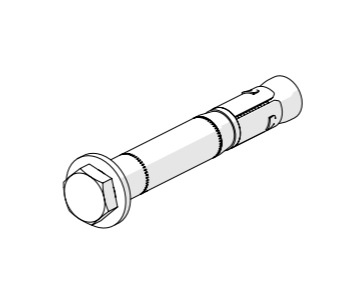
Floor barrier



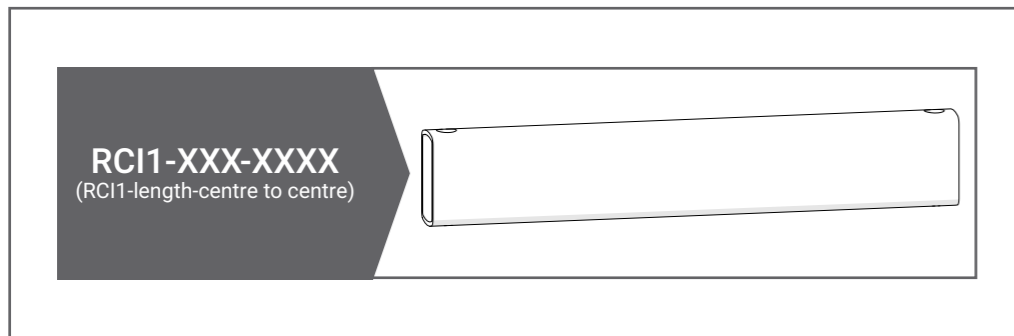
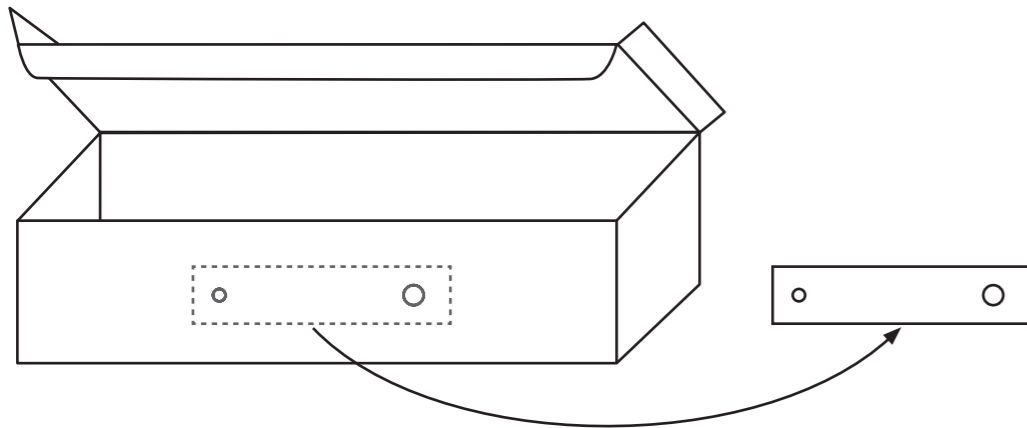
---

**AXELENT AB**  
WWW.AXELENT.COM

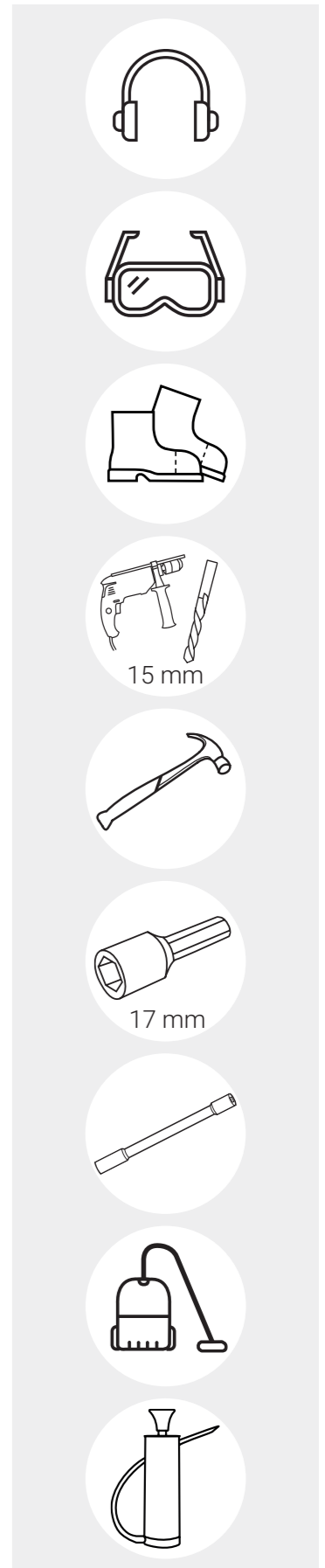


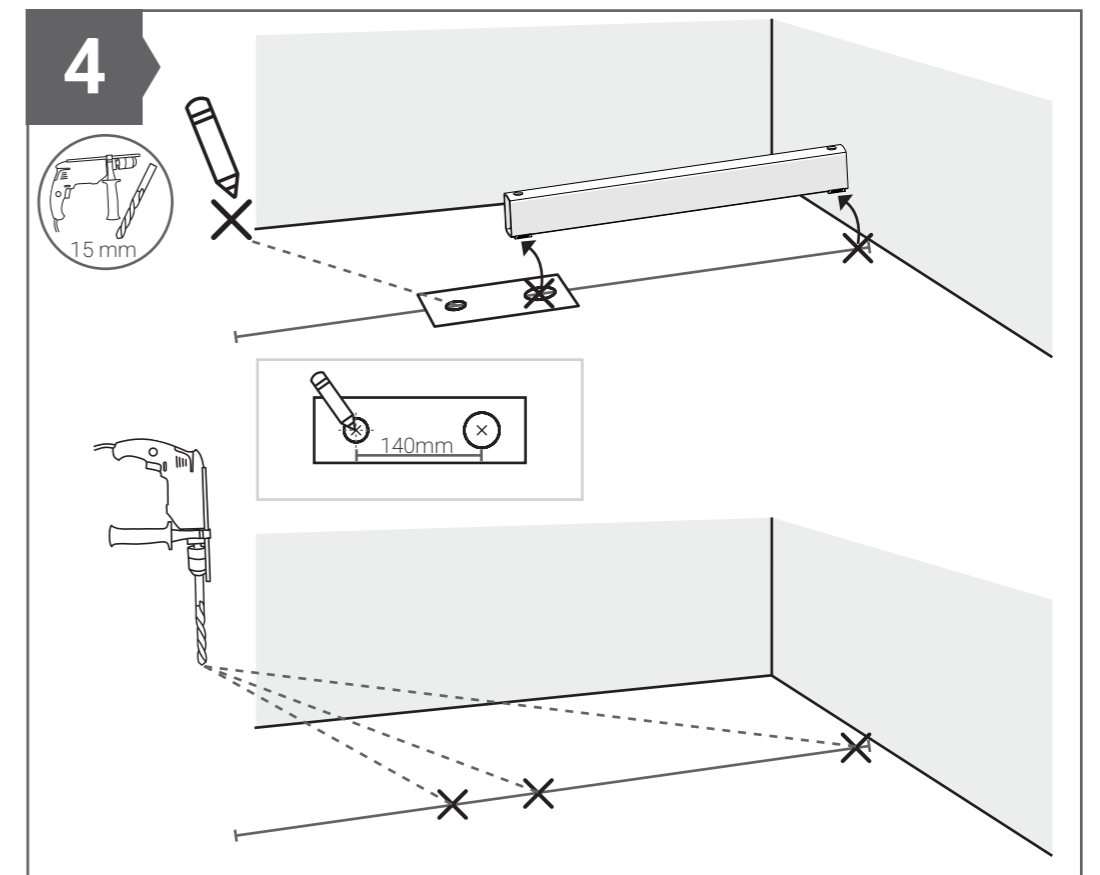
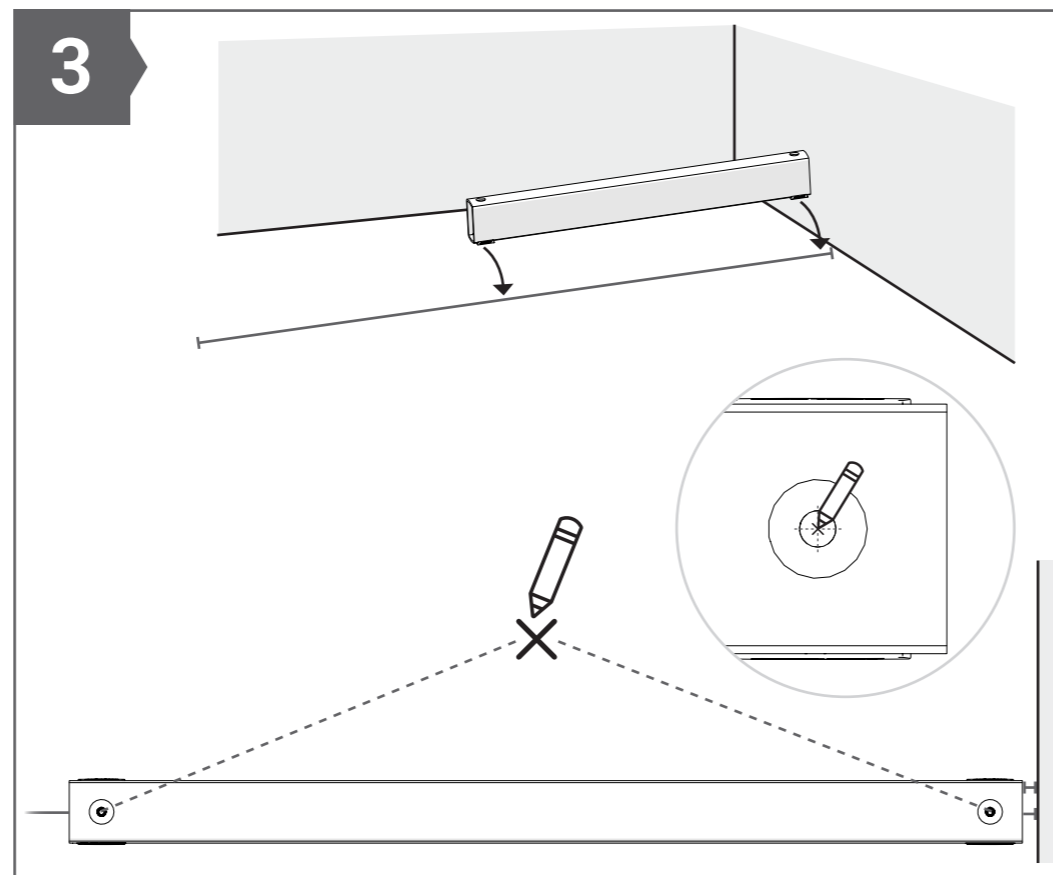
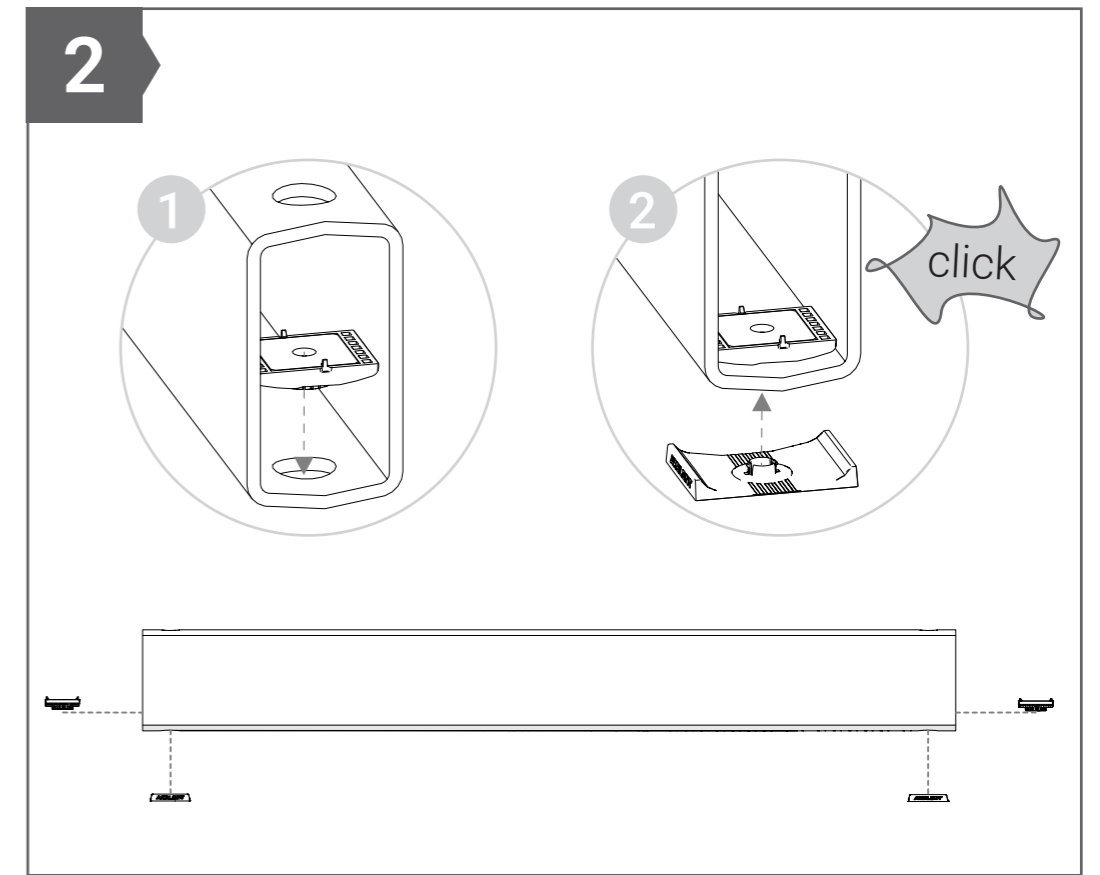
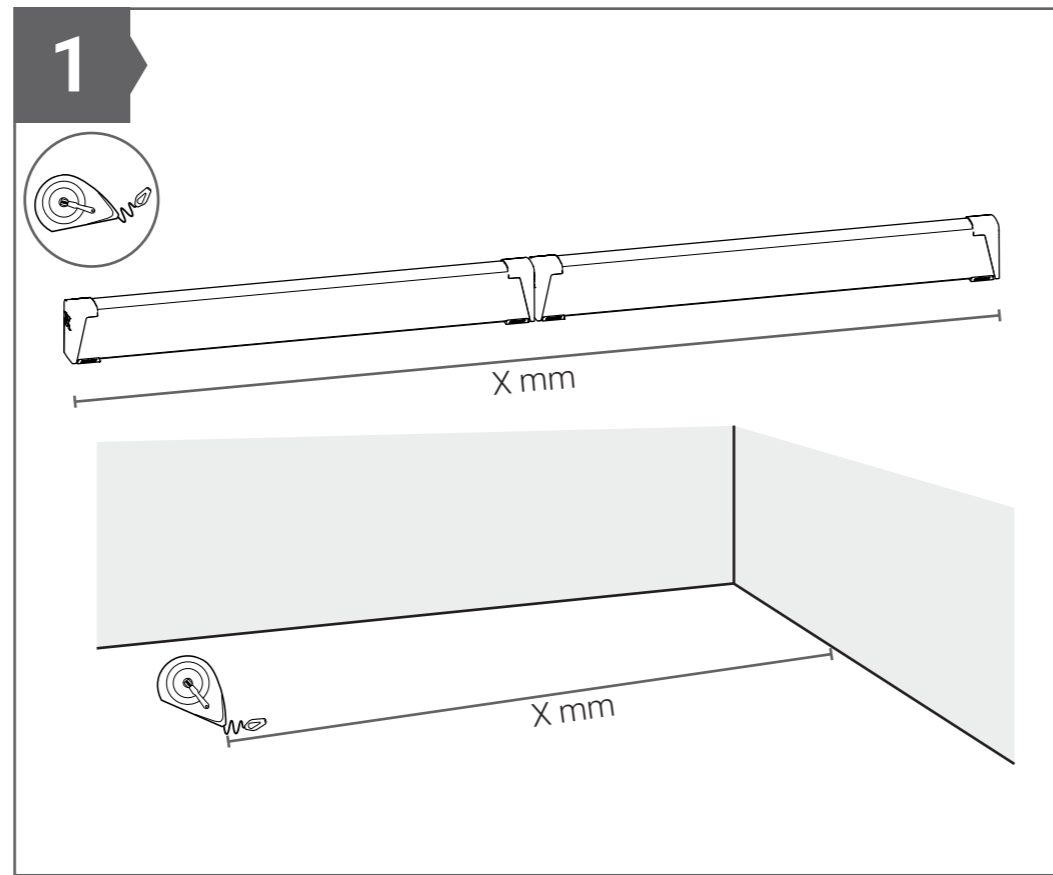
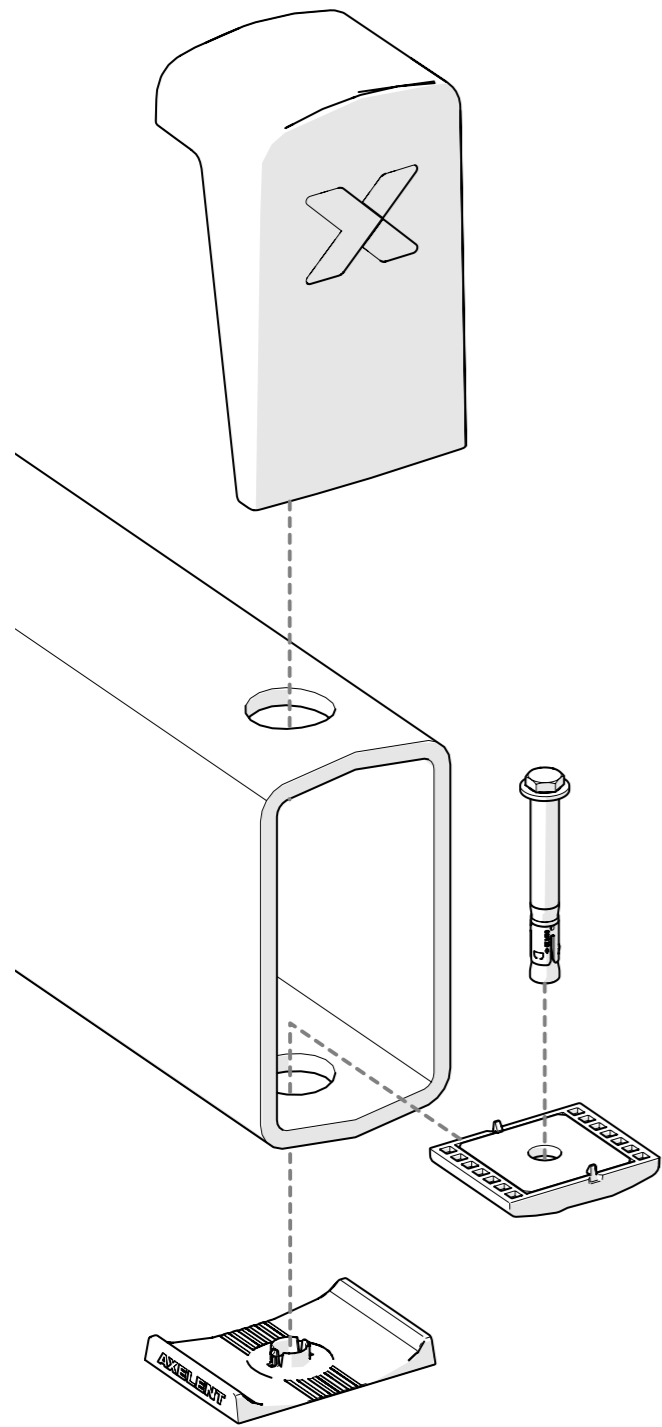
			
<i>Support for impact rail</i>	<i>Insert for impact rail</i>	<i>End cover for impact rail</i>	<i>Heavy duty anchor, M10</i>
FCE3-022-I100-2	2	2	2
FCE3-022-I100-10	10	10	10

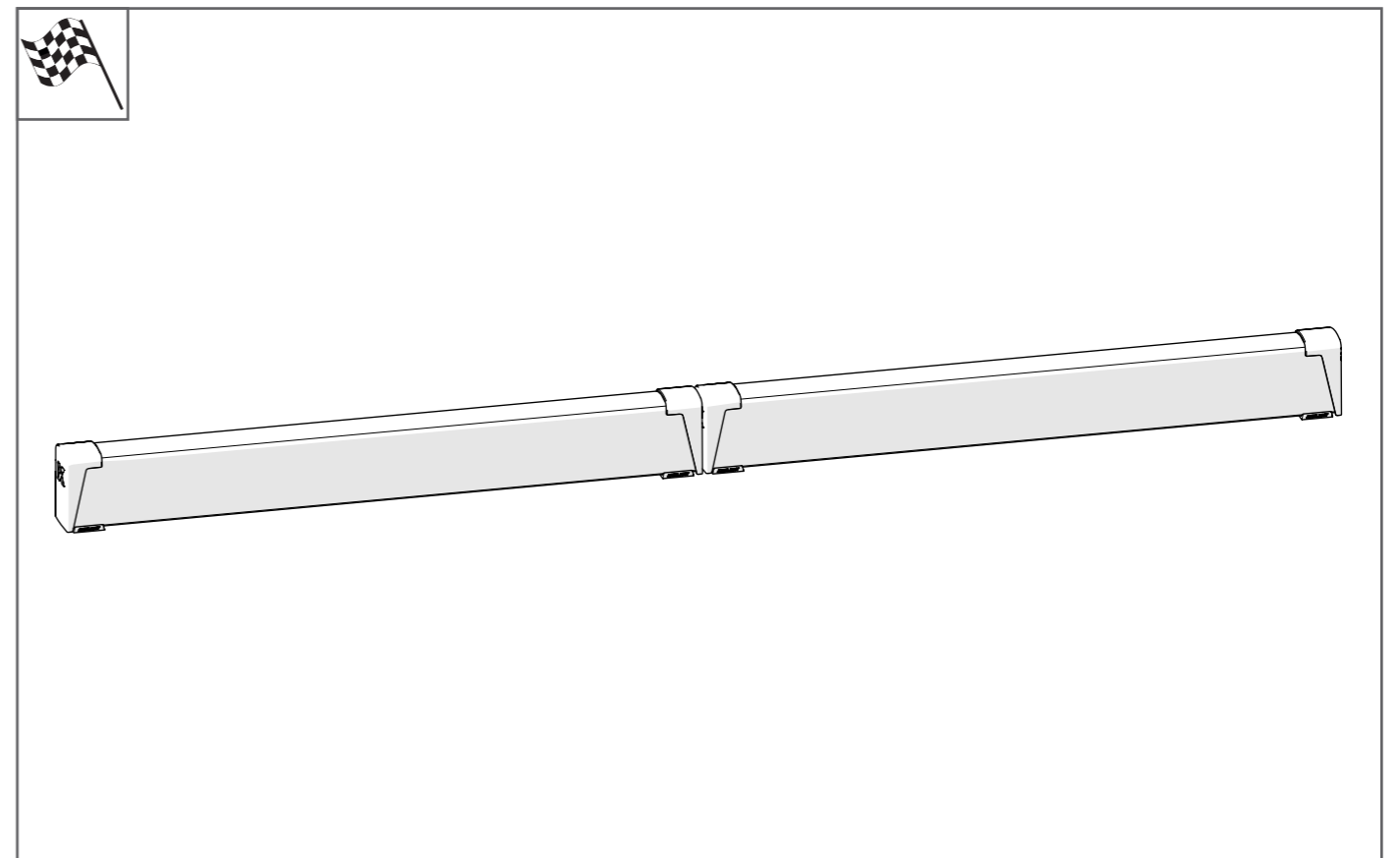
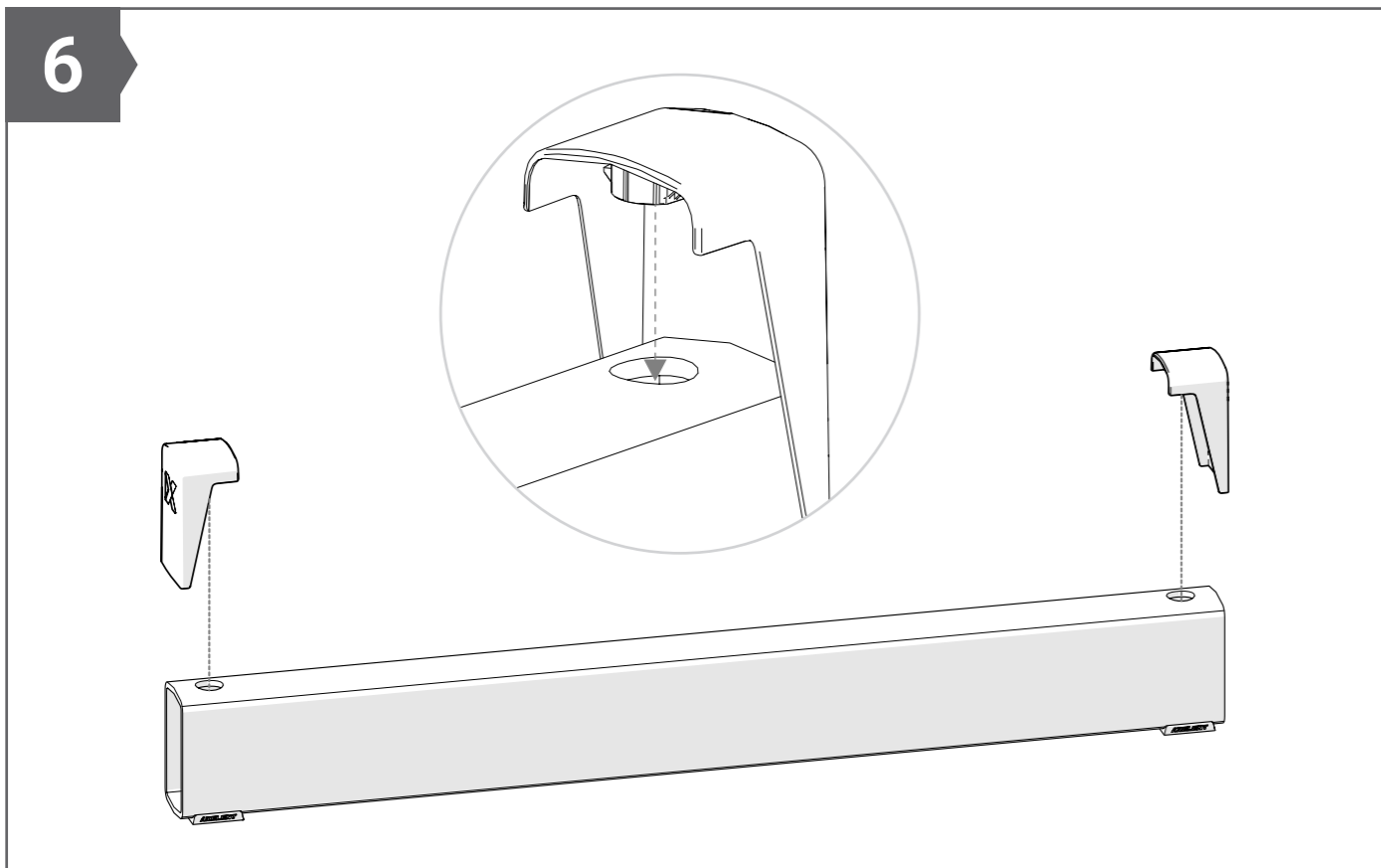
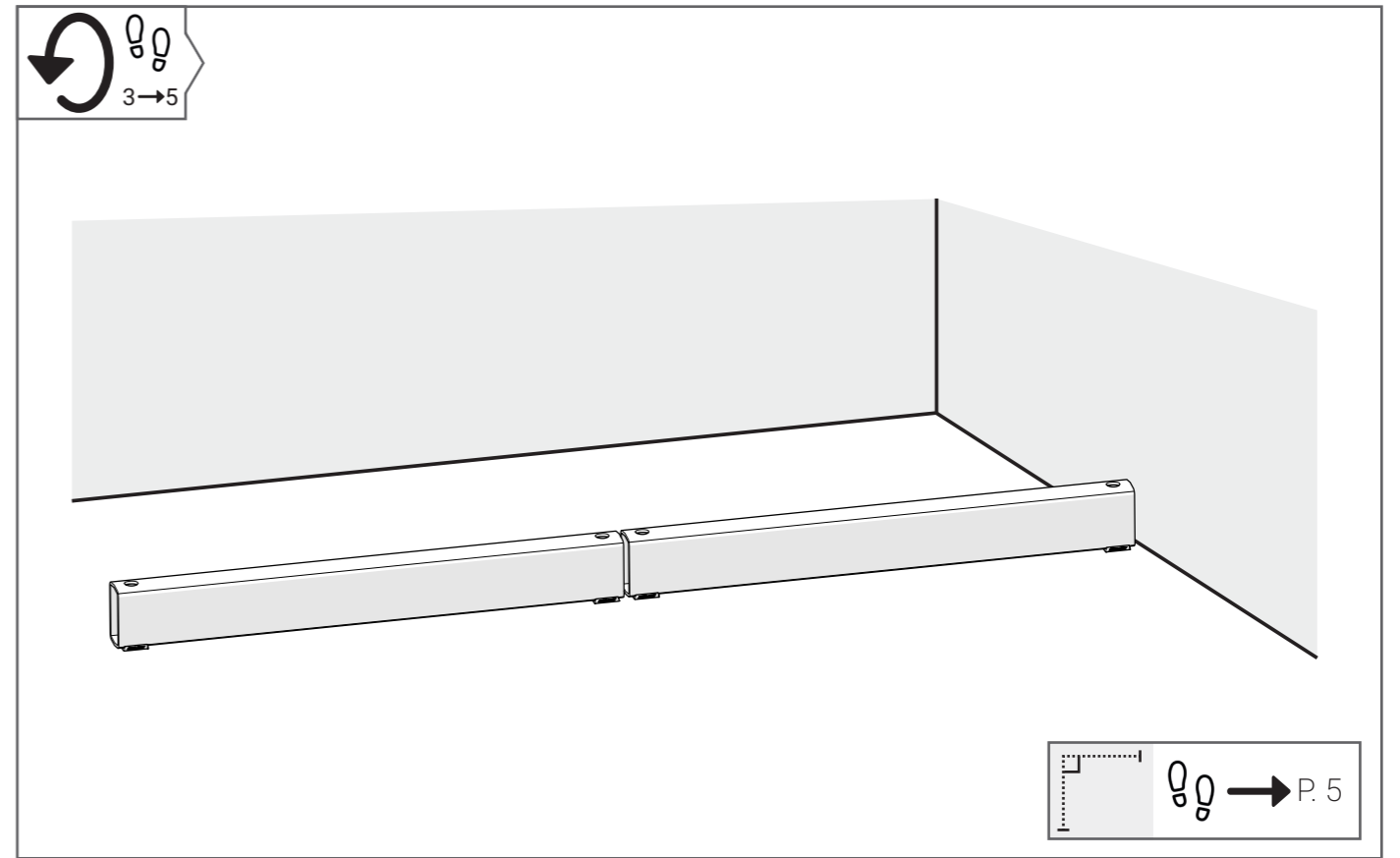
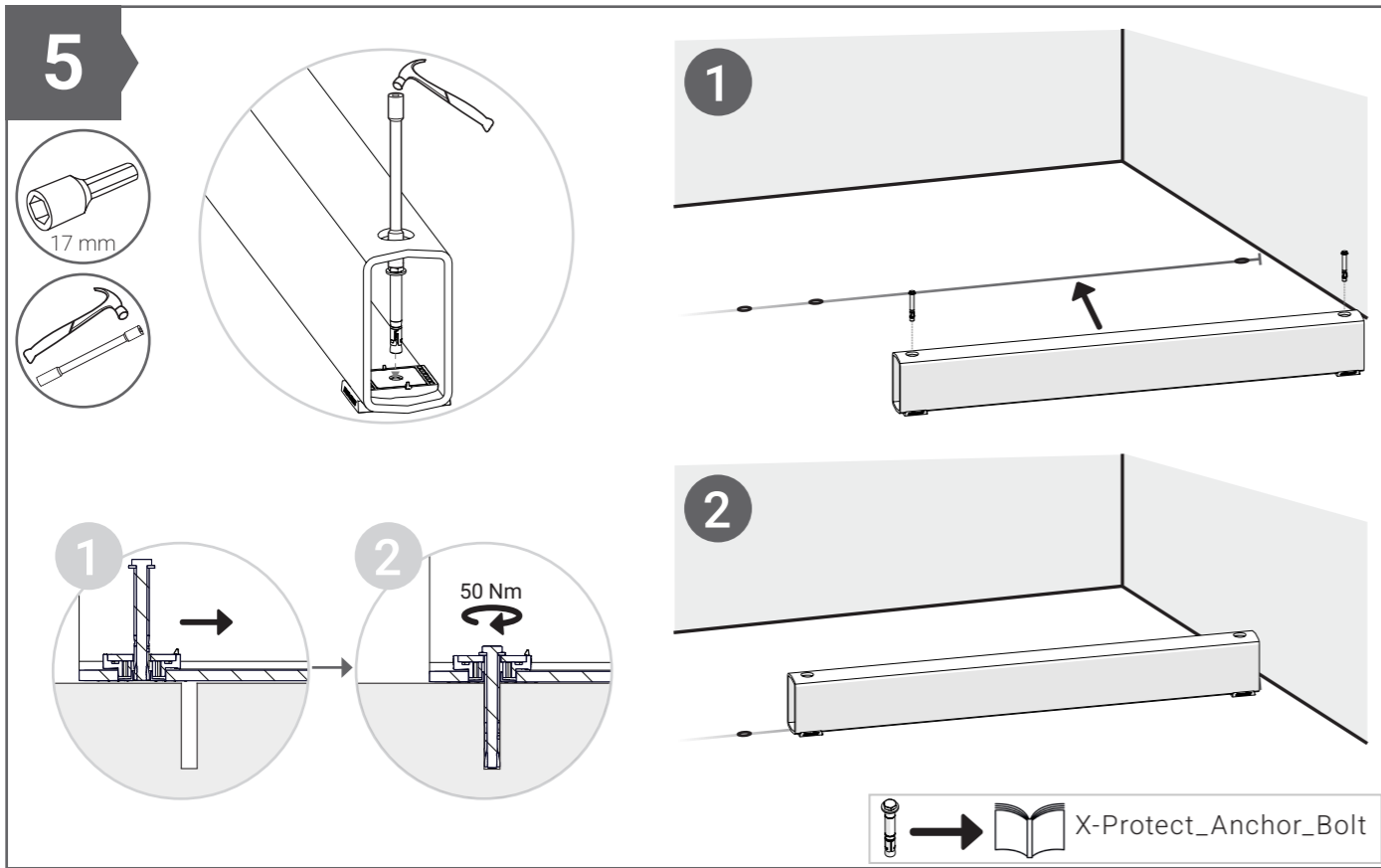
 Page 5



*The pin hole location, size and adjacent material integrity are critical to the overall system function and performance. Onsite alternations should only be made with the Axelent drilling template and by competent persons.*



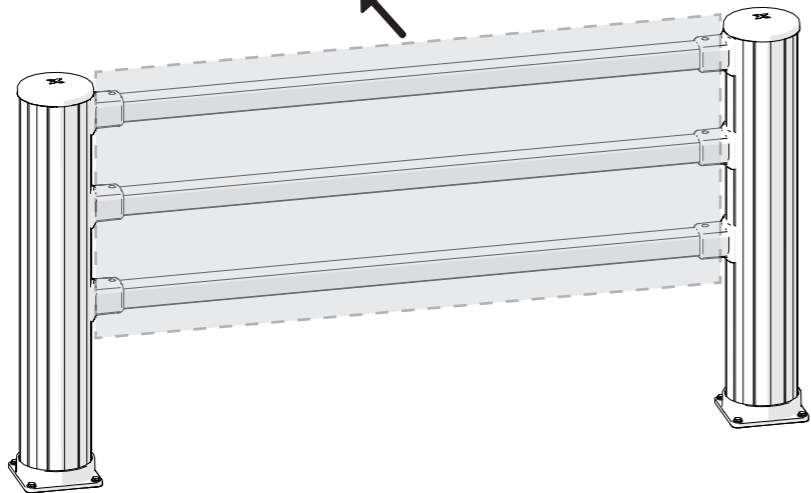




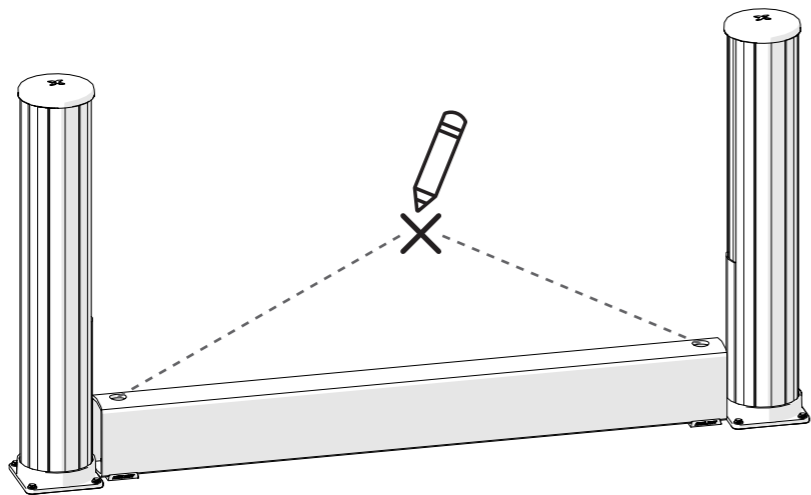


Mounting under barrier

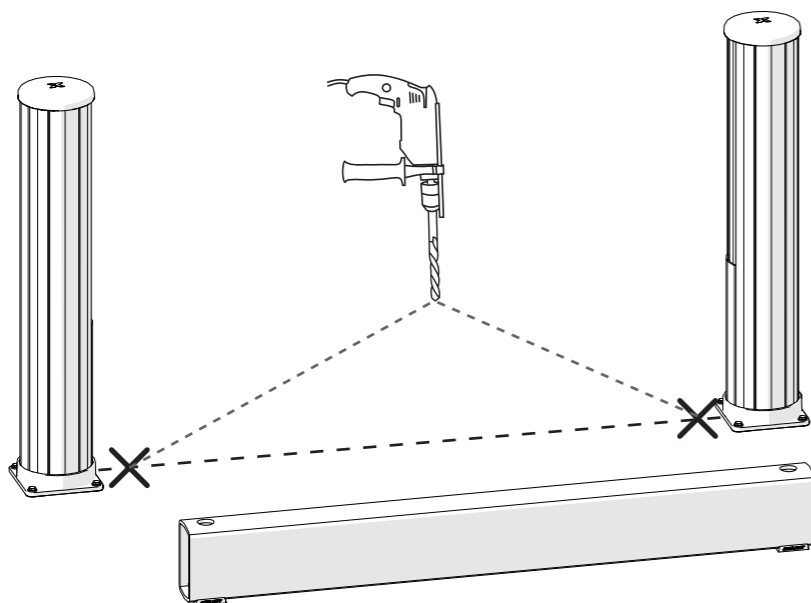
1



2



3



Mounting corners

