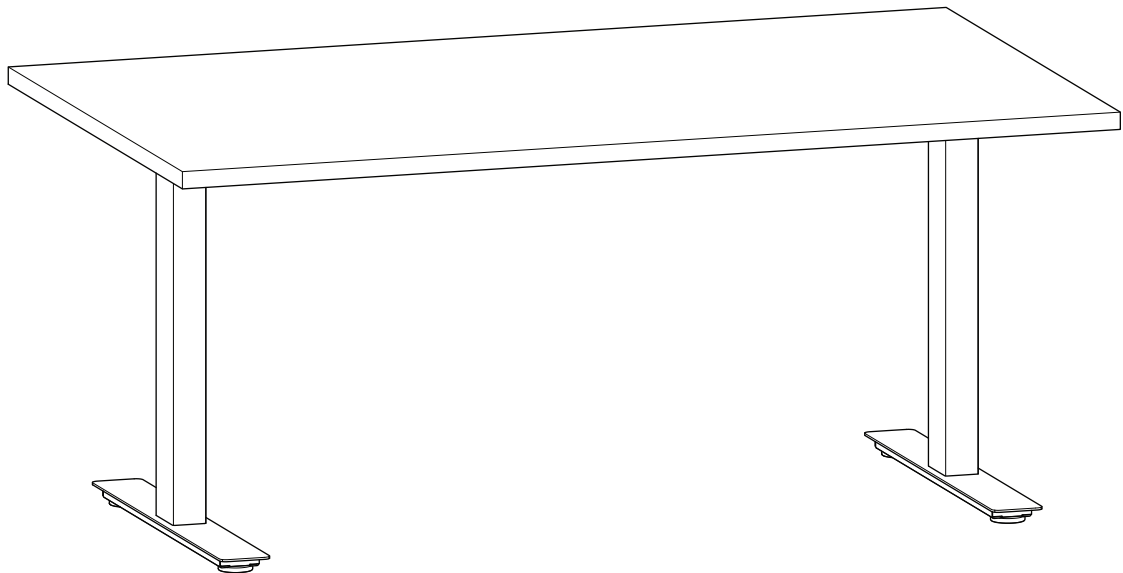


Assembly instructions

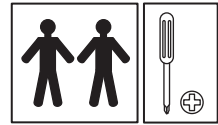
Fixed 2-leg desk



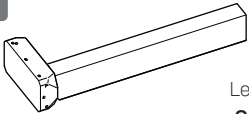
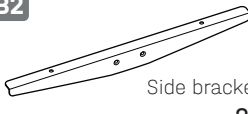
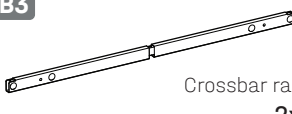
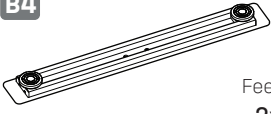
NOTICE!

If you're building a desk with 3 legs, please follow the instructions that are included in the 3rd Leg Box.

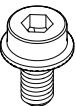
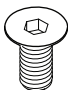

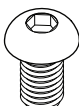


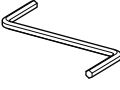
PACKAGE CONTENTS



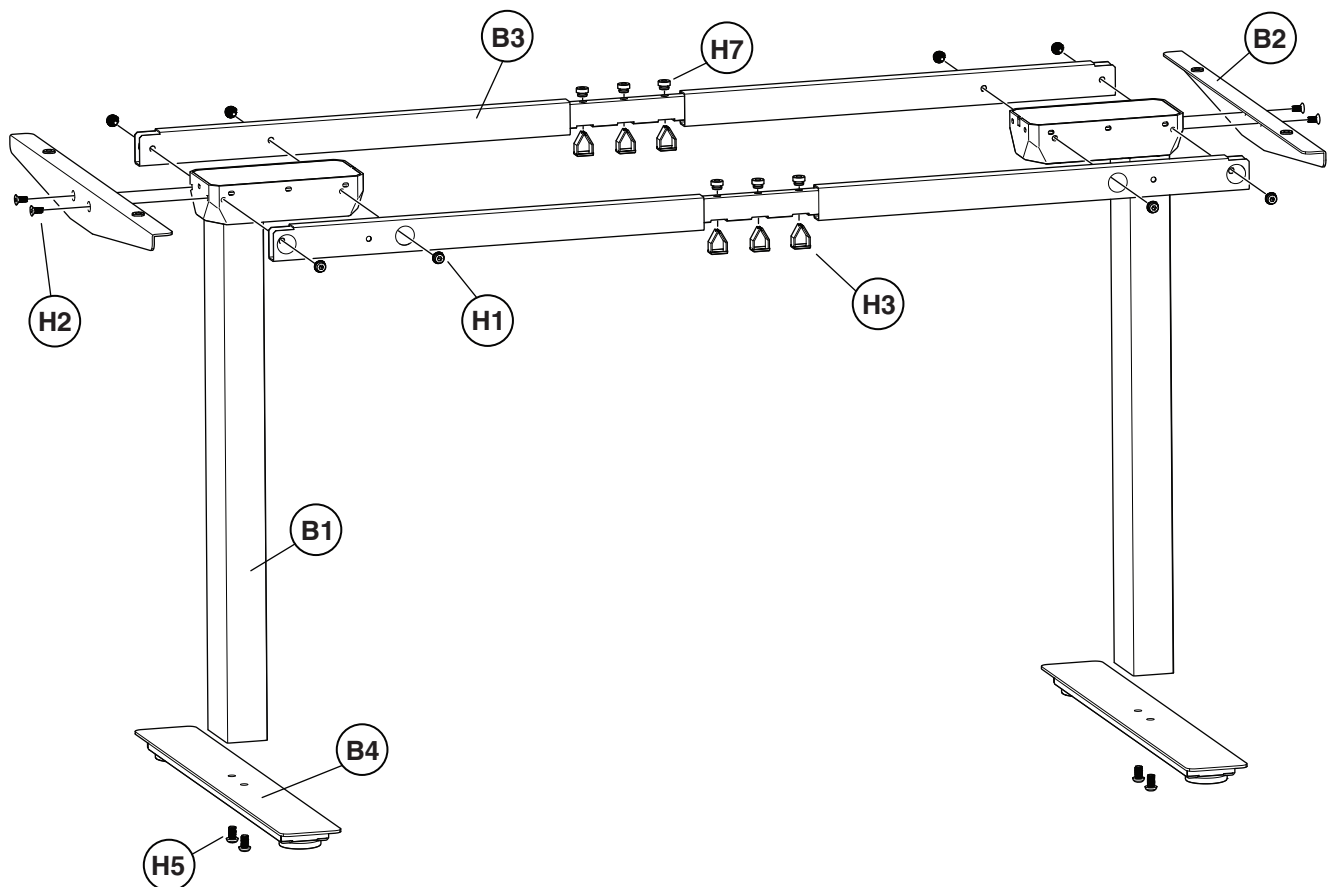
DESK COMPONENTS

B1  Leg 2x	B2  Side bracket 2x	B3  Crossbar rail 2x	B4  Feet 2x
---	--	--	--

HARDWARE

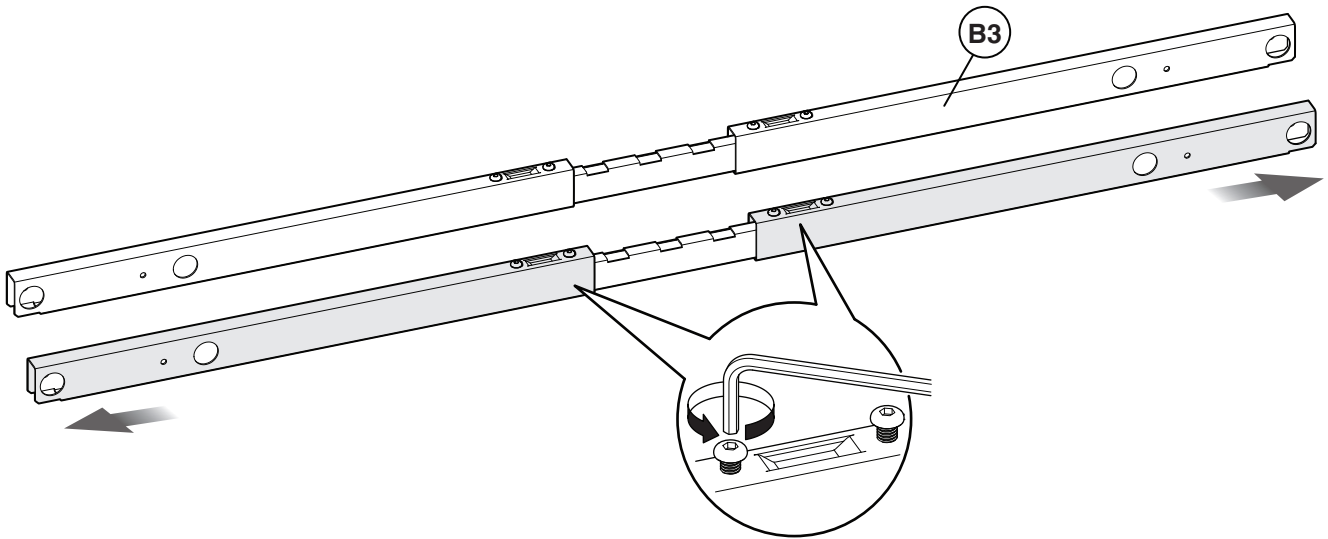
H1  M6x12 8x	H2  M6x10 4x	H3  Screw clamp 6x	H5  M8x14 4x	H7  5mm rubber 6x	H8  Tapping screw 5x20 8x	T1  Hex key 1x
---	---	---	---	--	--	---

Note: There may be additional hardware included in the package, as these are used for different desk configurations.

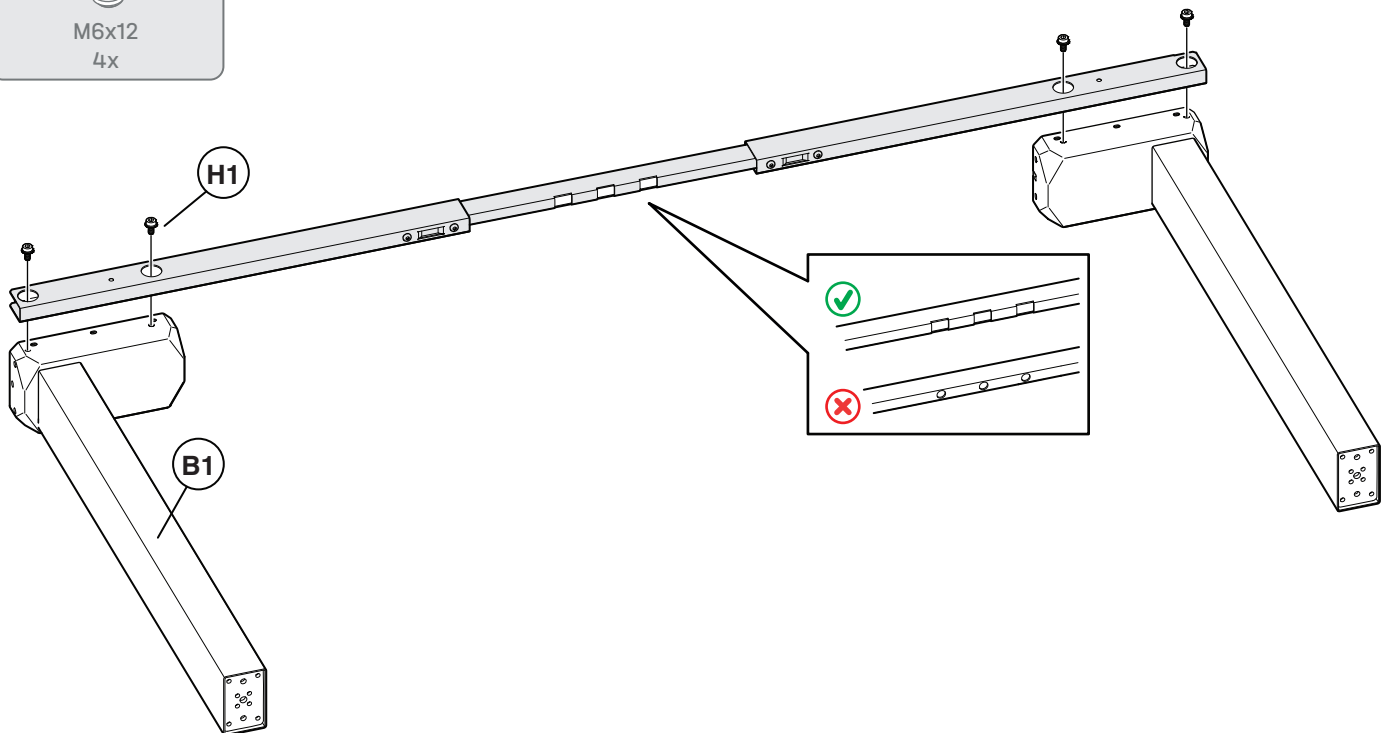
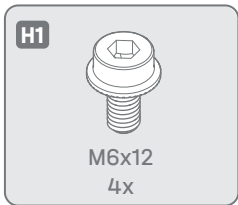


ASSEMBLY INSTRUCTIONS

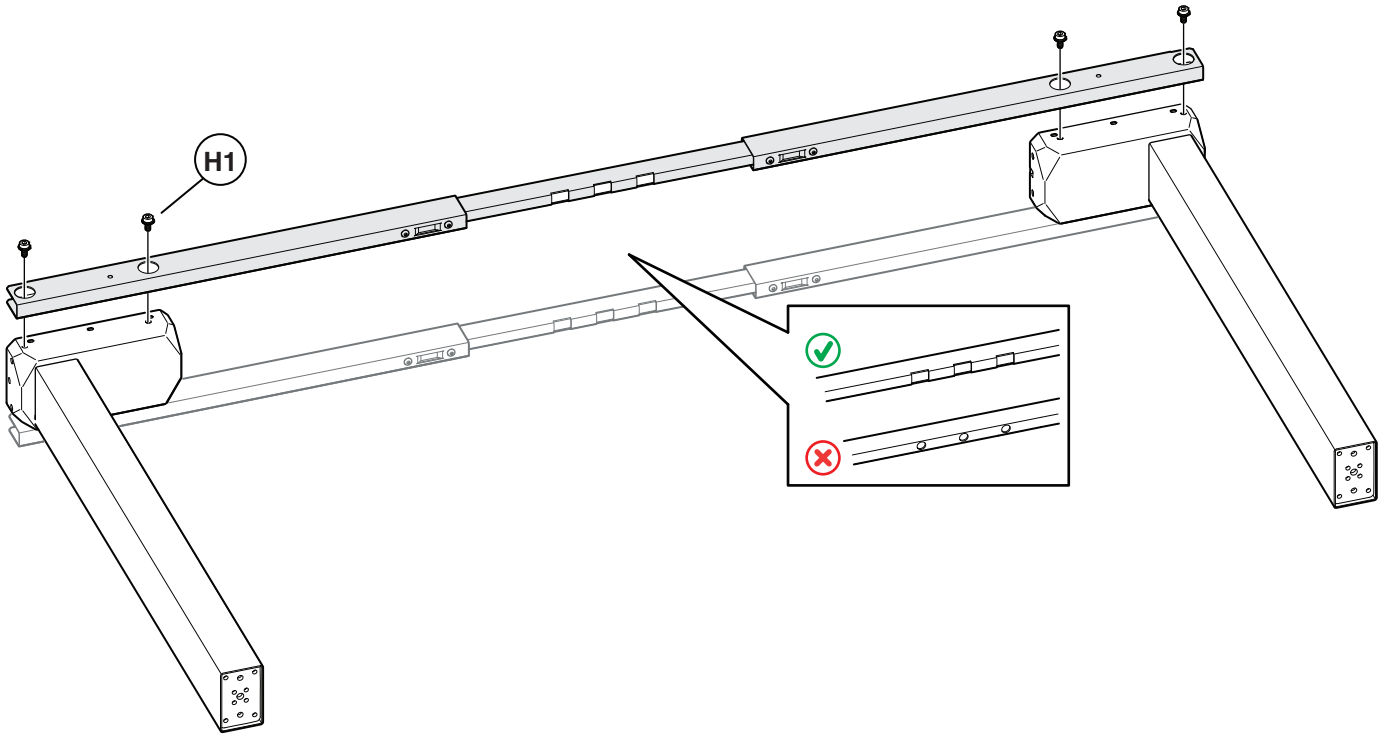
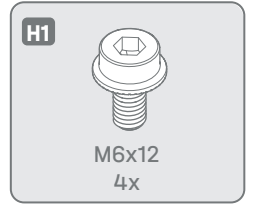
1



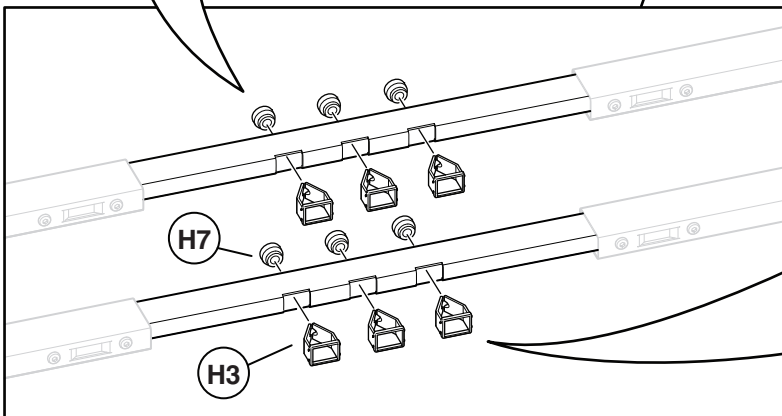
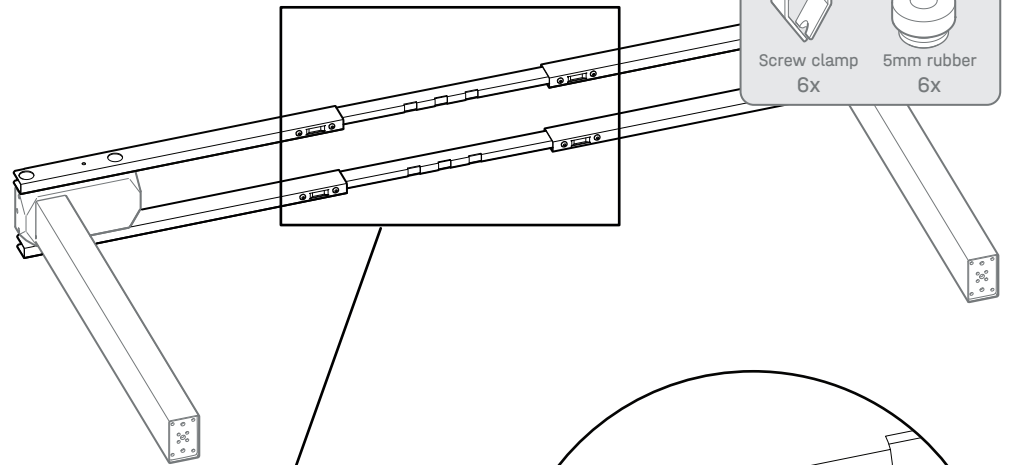
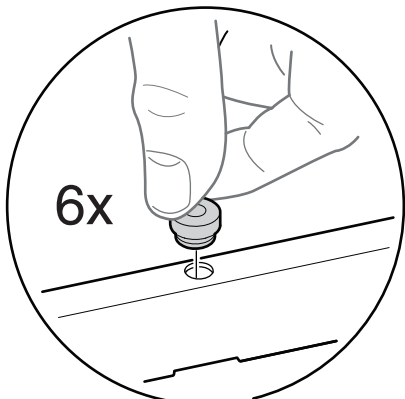
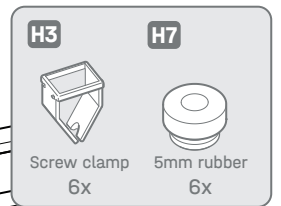
2



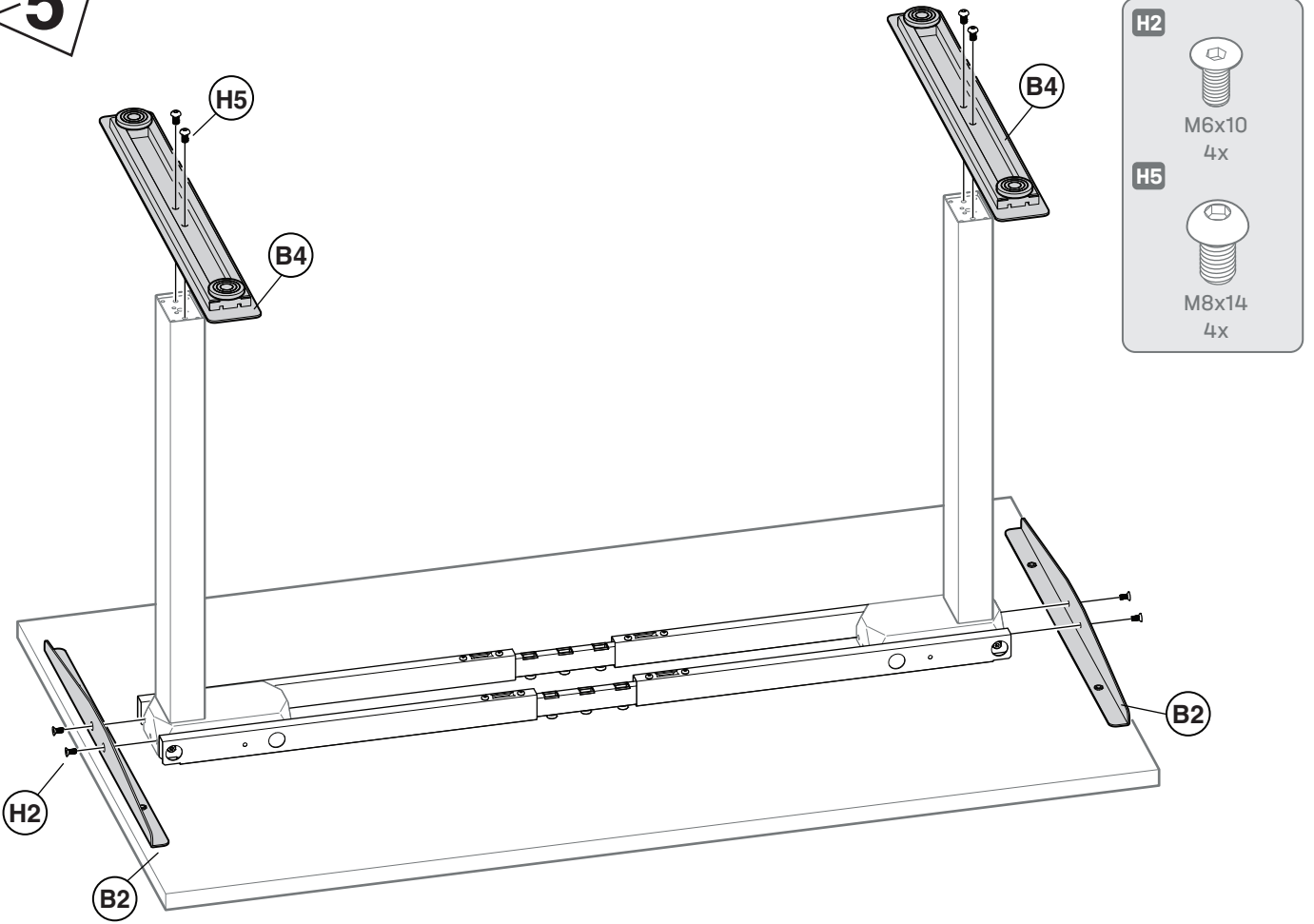
3



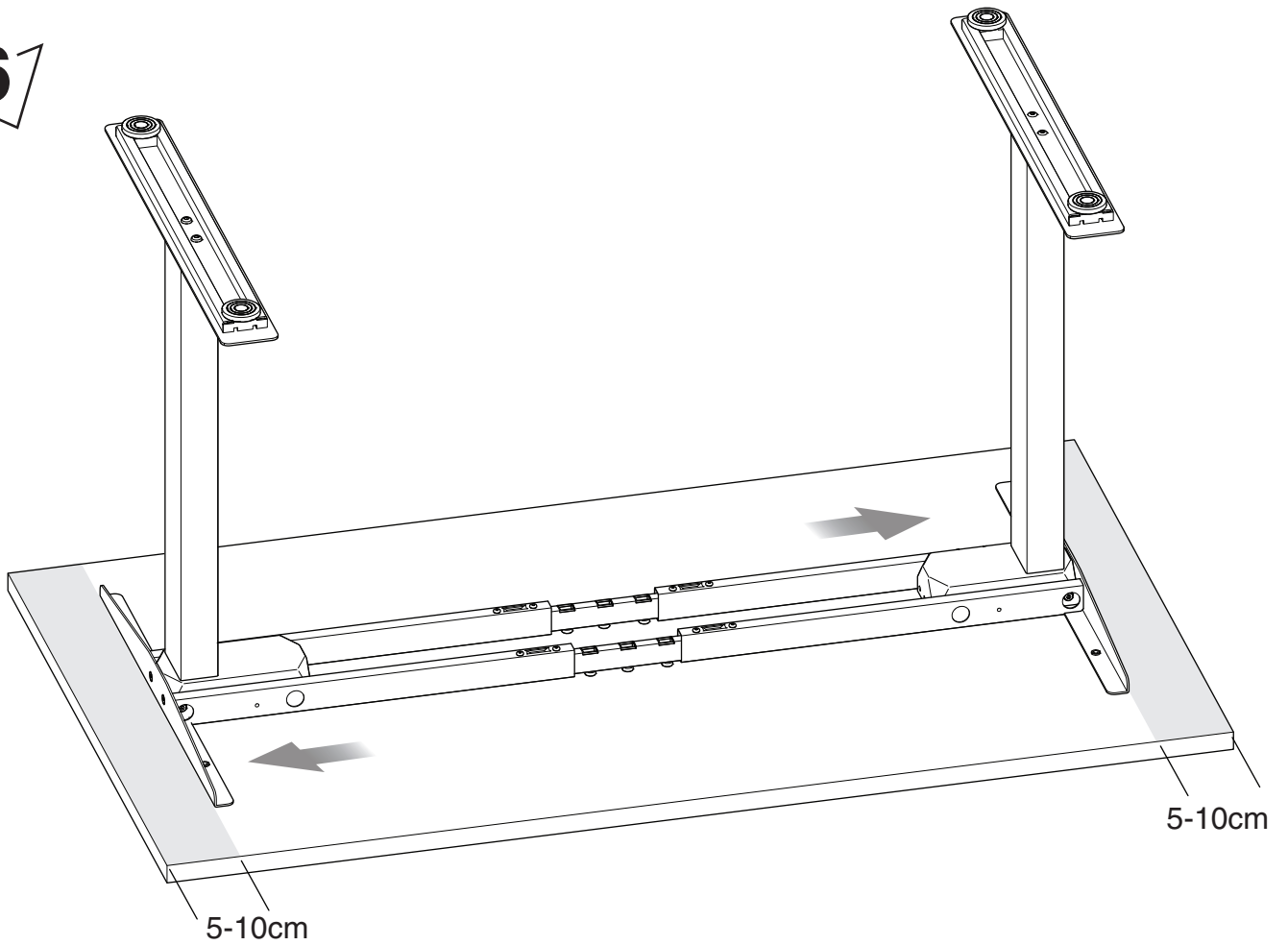
4



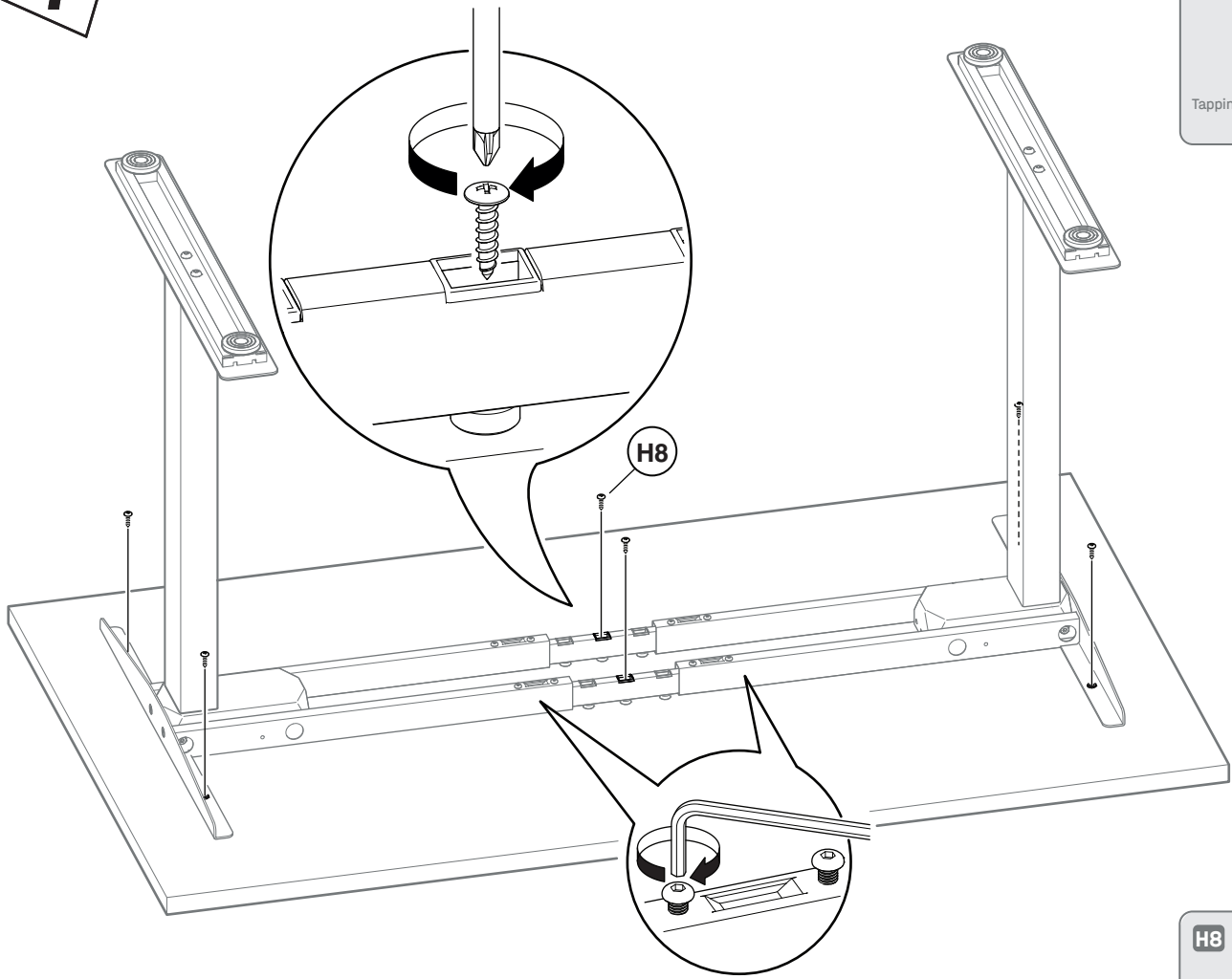
5



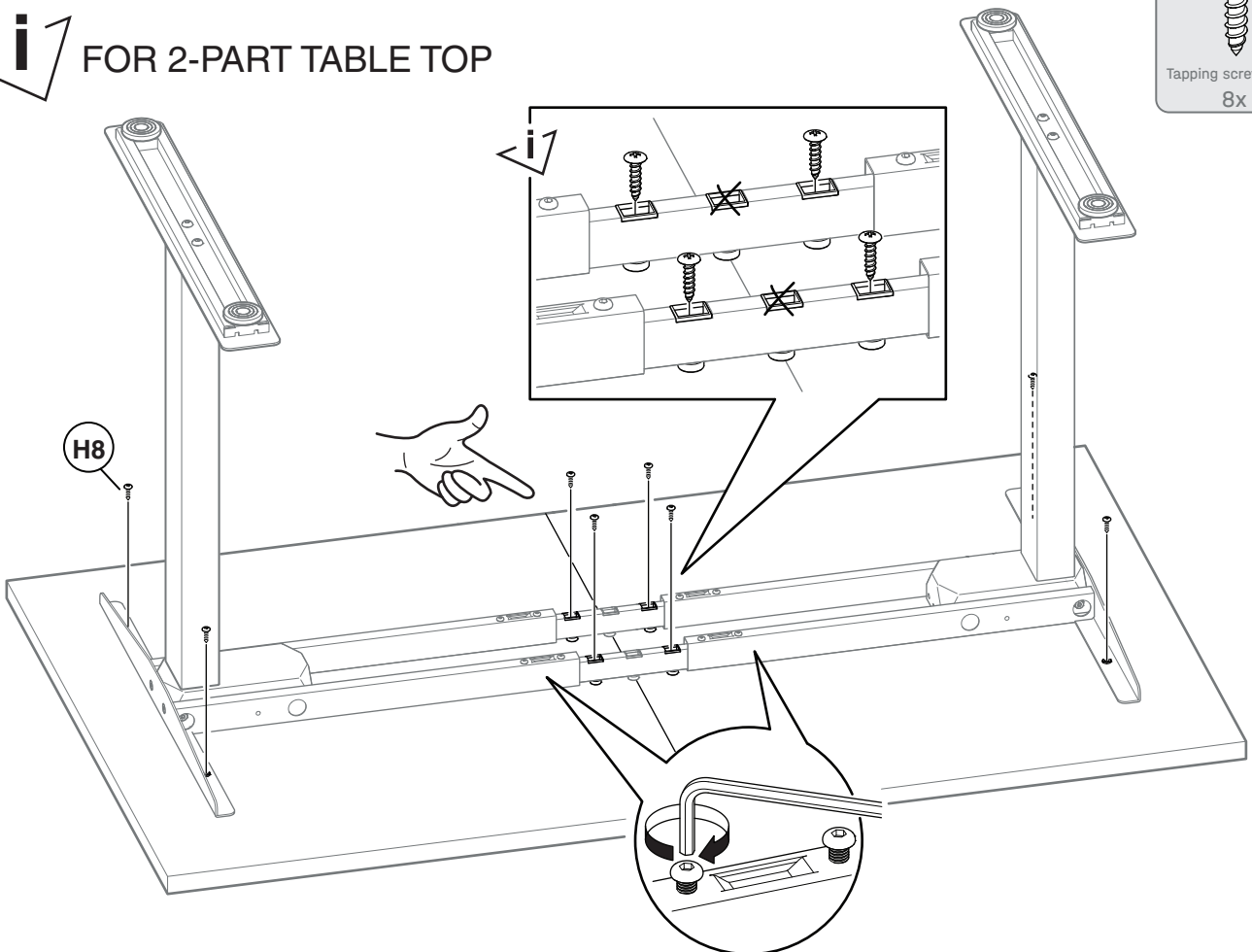
6



7



i FOR 2-PART TABLE TOP



Assembly instructions - 2 leg desk

English

NOTE! If you're building a desk with 3 legs, please follow the instructions that are included in the 3rd Leg Box.

Step 1

1. The crossbar rails (B3) are compressed when delivered. Loosen the set screws slightly and extend the inner rail.

Step 2

1. Take the legs (B1) and lay them on a flat surface.
2. Place a crossbar rail (B3) across the legs, ensuring the square holes on the inner rail face down.
3. Attach the crossbar to the legs with four M6×12 screws (H1).

Step 3

1. Flip the assembly and place the second crossbar rail (B3), install with four M6×12 screws (H1).

Step 4

1. Attach six rubber bushings (H7) in the round holes on the middle rails, facing upwards towards the table top.
2. Attach six plastic screw clamps (H3) in the square holes on the middle rails.

Step 5

1. Place the frame on the table top that should be used, install the two side brackets (B2), with two M6×10mm (H2) screws each. Make sure the orientation is as illustrated.
2. Install the two feet's (B4), each with two M8×14mm (H5) screws.

Step 6

1. Adjust the width of the frame assembly by moving the legs closer together or farther apart.
2. Make sure there is a 5-10cm gap between the frame and the edge of the table top, as shown in illustration.

Step 7

1. Tighten the set screws on the crossbar rails.
2. Secure the table top with the included tapping screws (H8). Use one screw in the middle for each crossbar rail as illustrated.

Note: If you are using a two-part table top, use two screws for each crossbar rail and skip the middle one.